



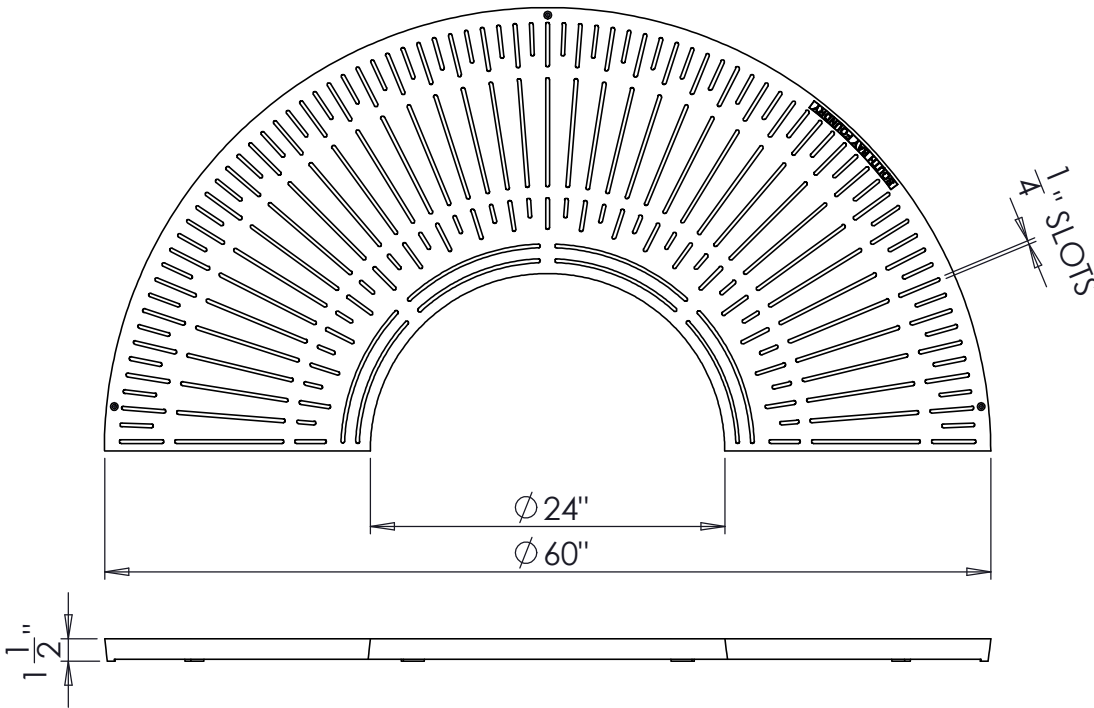
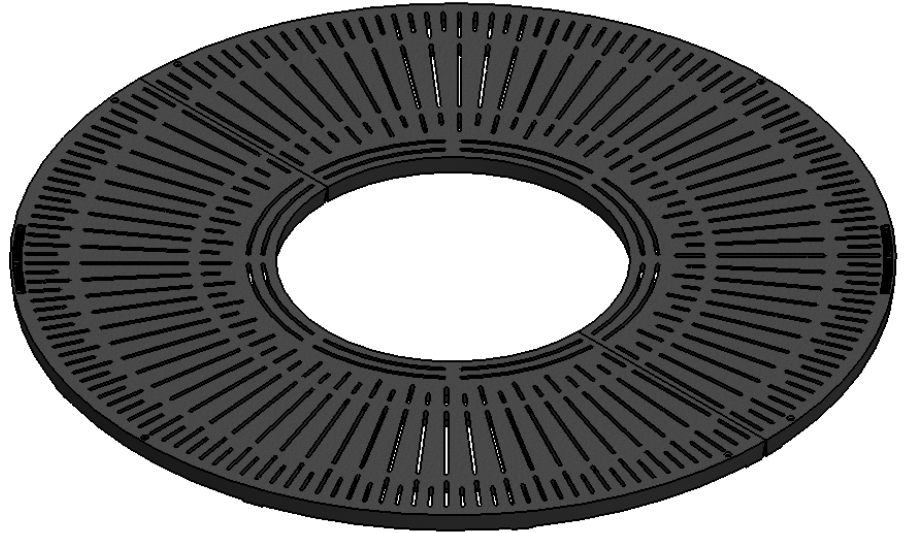
# South Bay Foundry

WWW.SOUTHBAYFOUNDRY.COM

PHONE: (619) 956-2780 FAX: (619) 956-2788

## D01160-1.5RD

Ø 60" STB STYLE TREE GRATE



WEIGHT	
PER SET	416 LB

### GENERAL INFORMATION

- \*MATERIAL: CAST IRON, DUCTILE IRON, OR ALUMINUM
- \*FINISHES AVAILABLE: BARE, PAINTED, POWDER COATED, OR SHARK GRIP
- \*APPROXIMATE TREE OPENING: Ø 24", Ø 26", Ø 28", OR Ø 34"

### APPROVED

BY:

TITLE:

AGENCY:

DATE:

5/22/2013